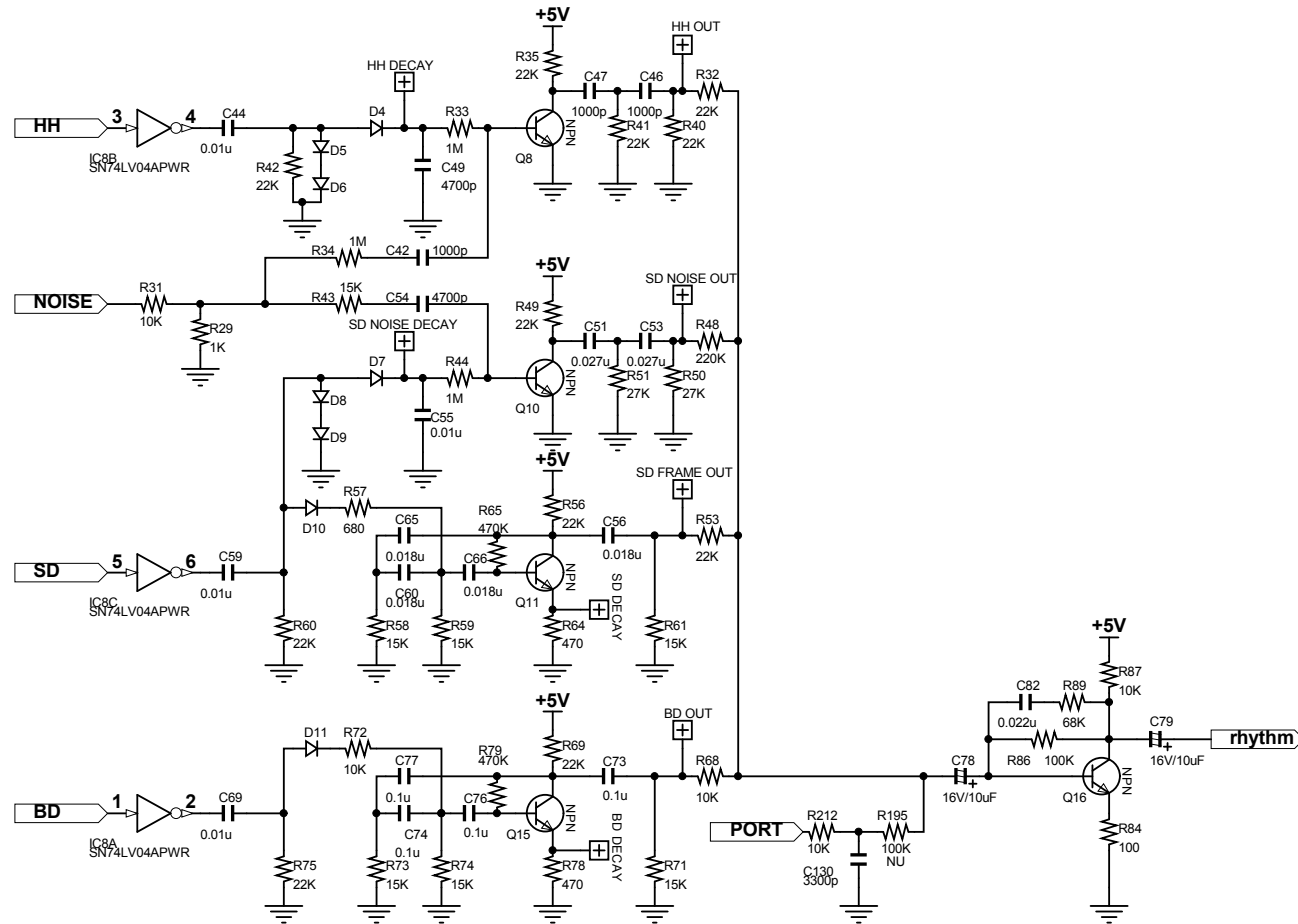


RHYTHM SYNTH



Korg
monotribe

Details of this schematic are subject to change without notice.
 Any modification to any monotribe will immediately void its warranty.
 Korg or any of its affiliates will not accept responsibility for any damages, personal loss or injury that may result from any modification to the device.

MODEL	TITLE	
monotribe	SCHEMATIC FOR PUBLIC RELEASE	
KORG	DATE	DESIGNED BY
	2011.6.8	HIROAKI NISHIJIMA